

**FLEXI** TE BASE

ROOF / PILLAR

|                                | CONNECTOR | CABLE TYPE | CABLE LENGTH |
|--------------------------------|-----------|------------|--------------|
| P/N: 7667010 - RADIO DAB READY | DIN Male  | RG 58      | 2500 mm      |
| P/N: 7667011 - RADIO DAB READY | DIN Male  | RG 58      | 1500 mm      |

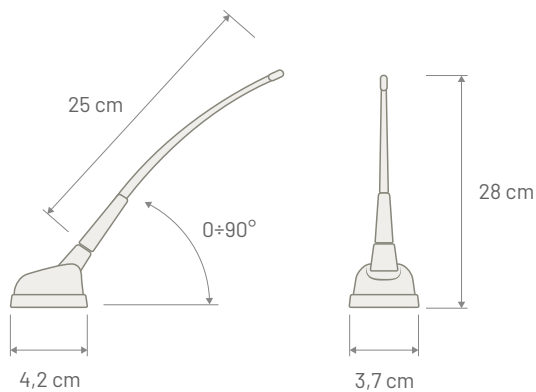
TECHNICAL SPECIFICATION

|                    | AM / FM                                     |
|--------------------|---|
| Impedance          | 50 Ω  |
| Gain               | --  |
| Rod Length         | 240 mm                                      |
| Rod Thread         | M6  |
| Rod Type           | Rubber - High flessnessibility - Heavy duty |
| Protection Class   | IP68  |
| Coachwork drilling | A: Ø 4,7 mm B: Ø 8 mm D: 14 mm              |

Note To enable DAB reception an Active or Passive Splitter is needed (see SERVICE BOX chapter)



Dimensions



Coachwork Drilling

